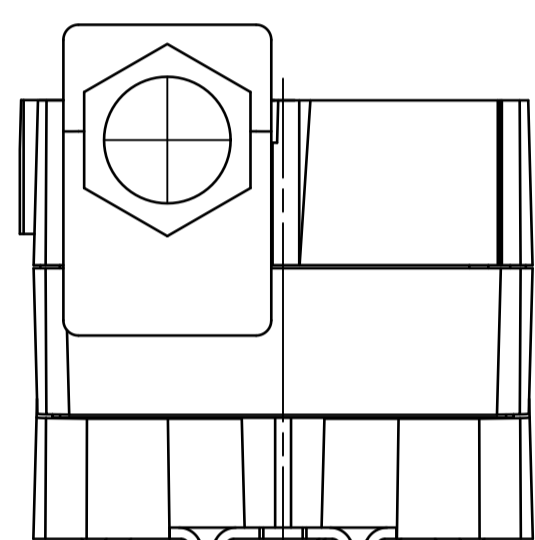


Notes: Dimensions are in Millimeters (mm). 1 inch = 25.4 mm. Drawn according to the first angle projection method.  
 11.04.2006 10:00 V.1 CAD/CAM PROJEKTION: ME 1002

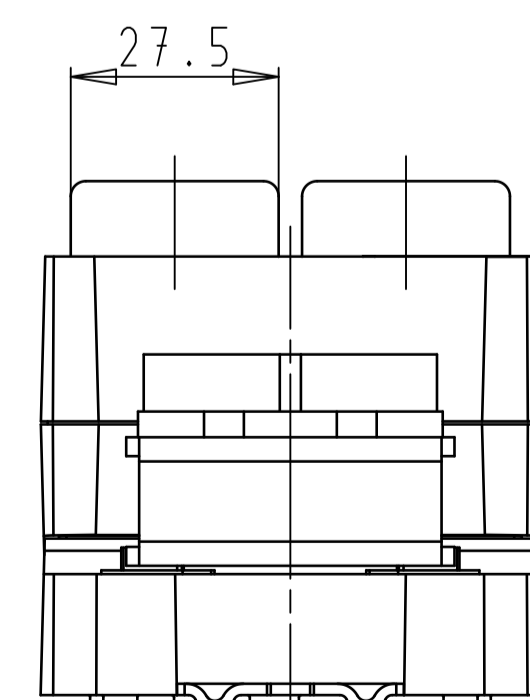
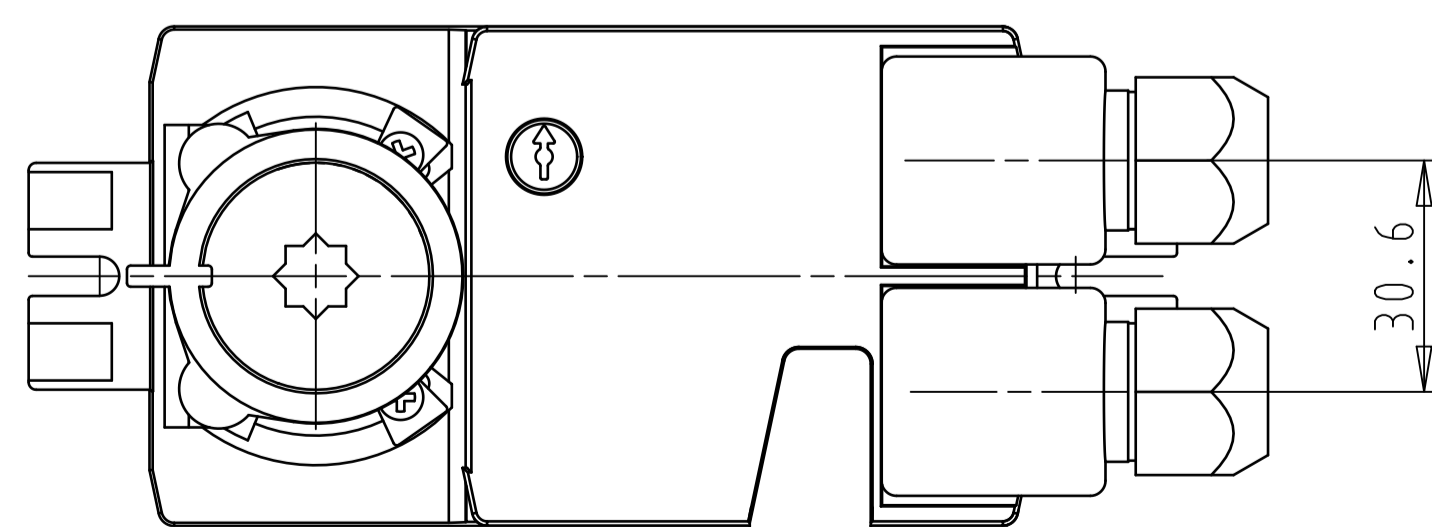
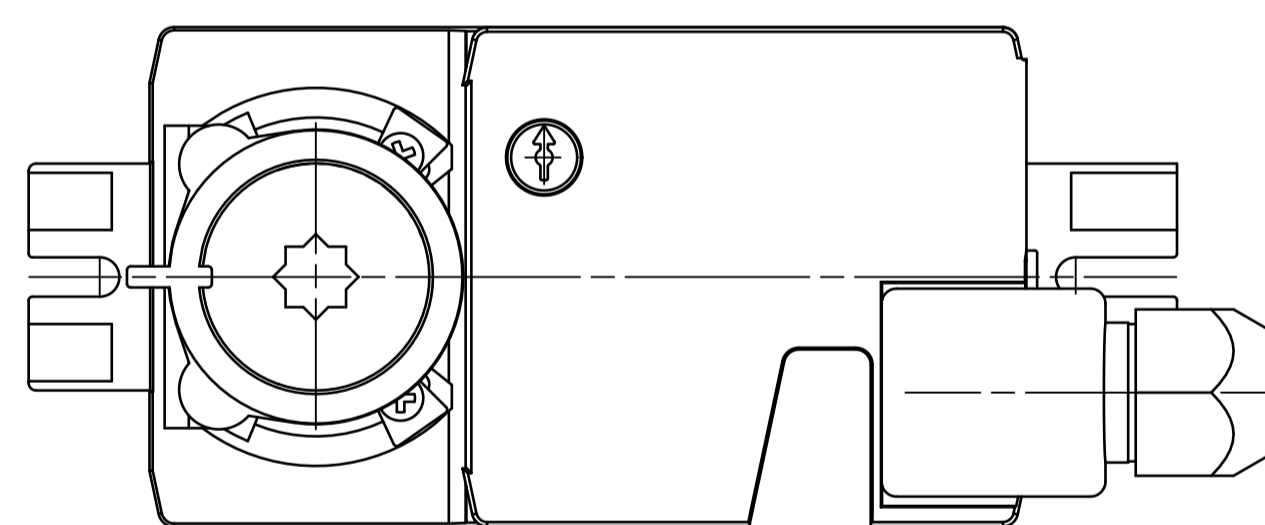
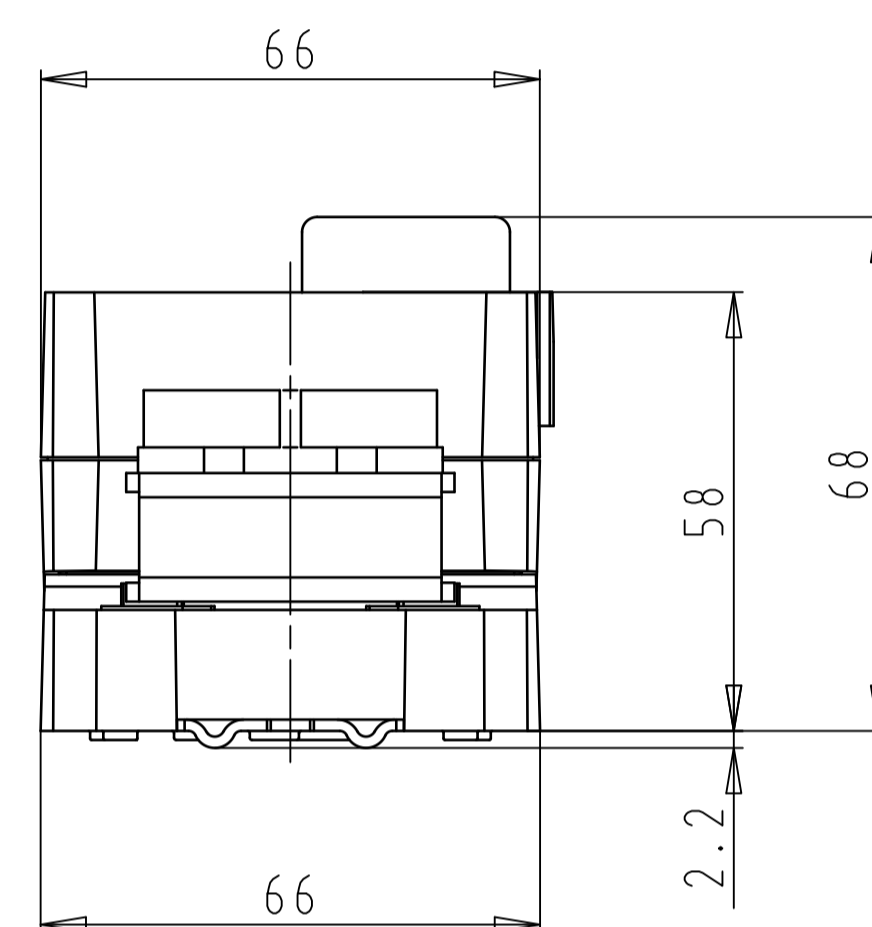
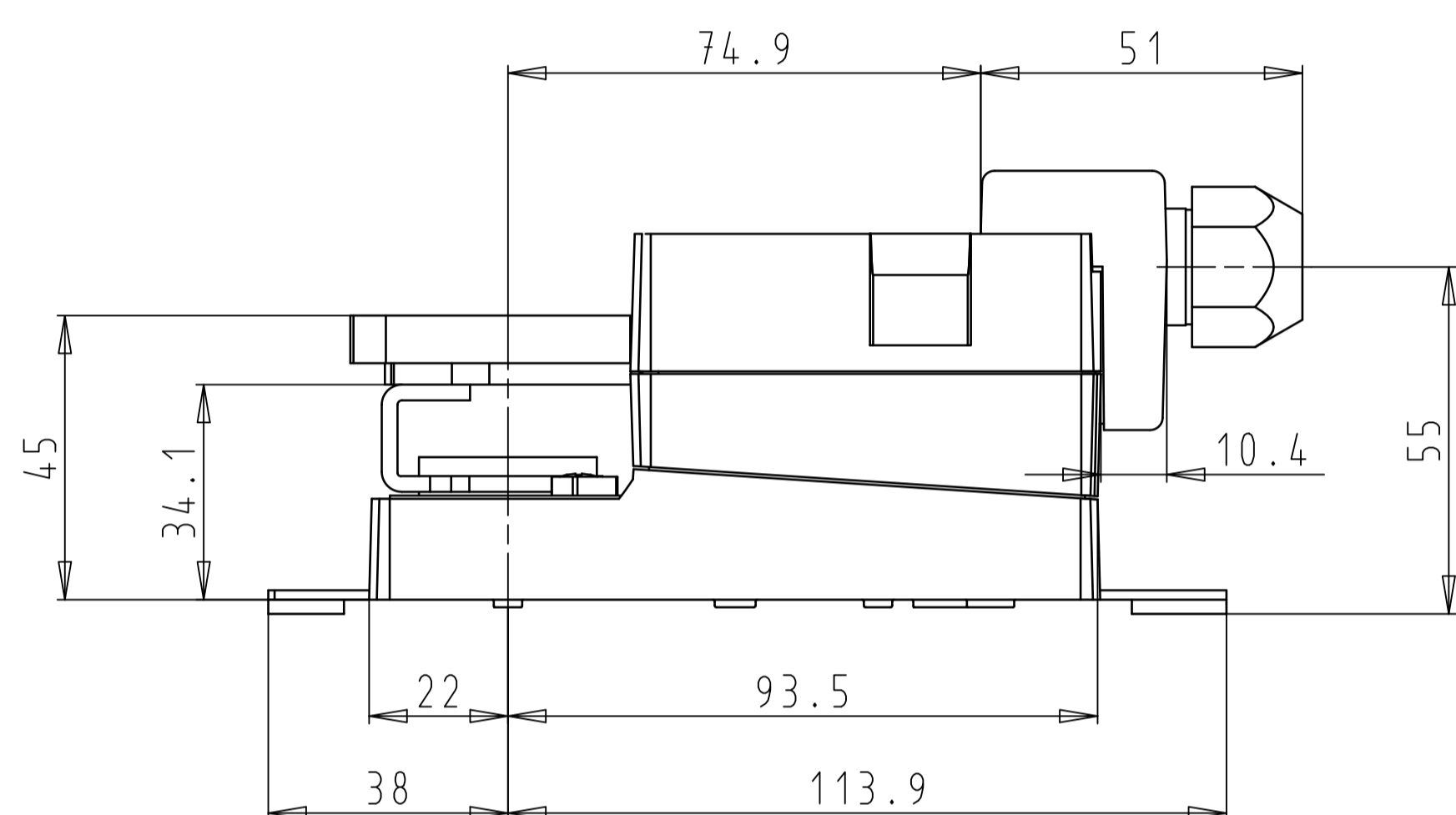
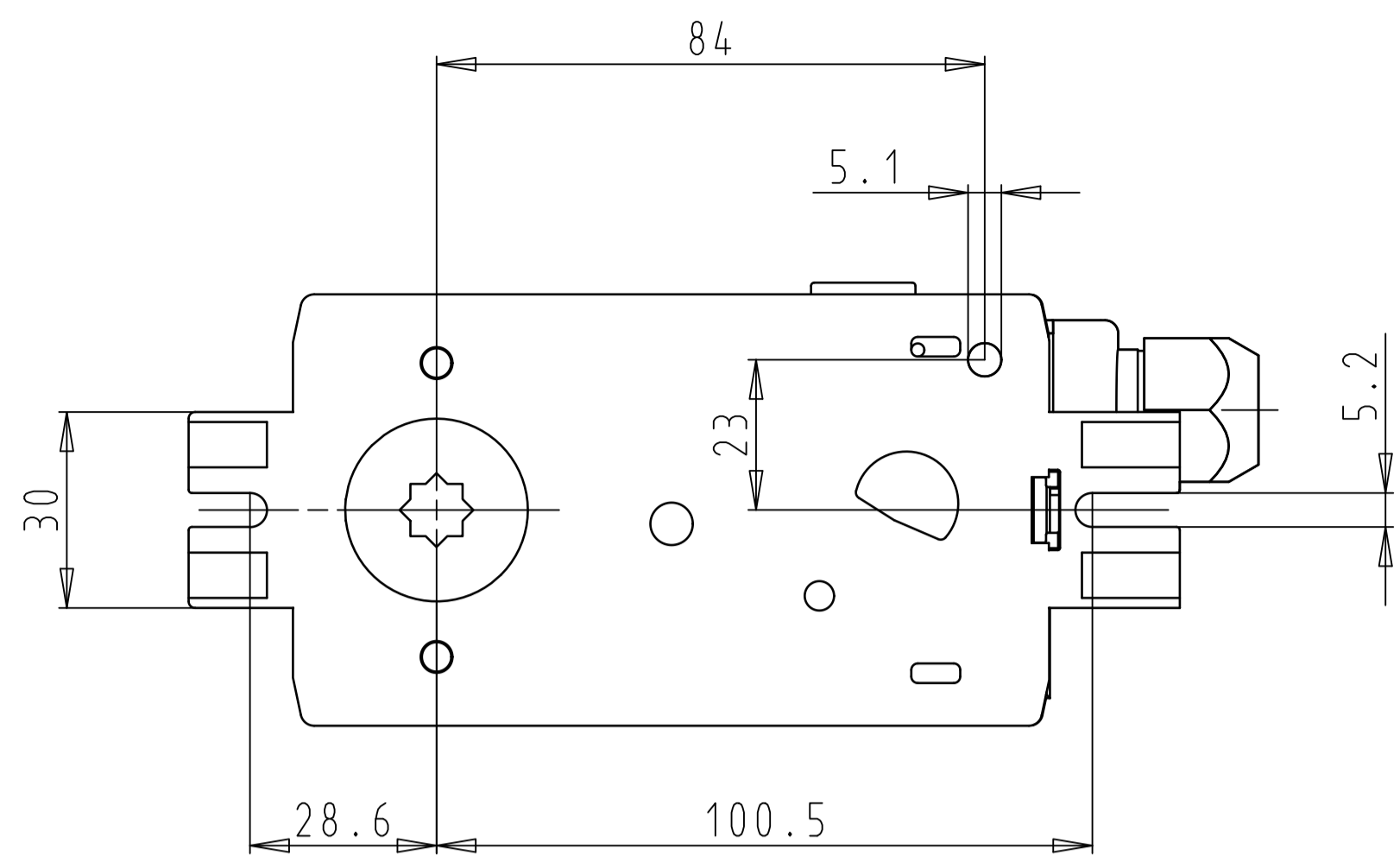
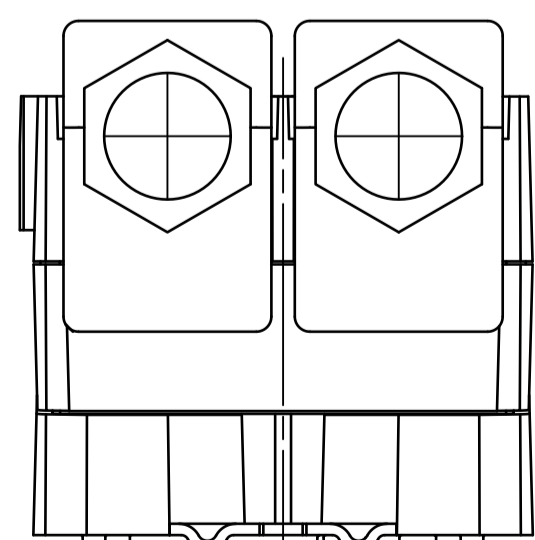
General tolerances in accordance with ISO 2768-m (class medium).

Legal Notice: Any distribution, copying or disclosure of this document is prohibited without the express written authorization of BELIMO. Failure to comply with these conditions may result in legal action. All rights reserved. Copying or design registration are restricted.



LM24A-S T3.. TP..  
 LM24A-SR T5.. TP..  
 LM230A T7.. TP..

LM24A-S T3.. TP..  
 LM230AS T9.. TP..  
 LM24AP5 TE.. TP..



Formschlussversion / Festmontage  
 form-fit version / fix-mounting

naming		pos.	material no		ind.	material
h			date	name		Klappenantrieb
g			drawn 11.04.06	GXe		Damper actuator
f			appr.			5Nm
e			scale:			
d			1:1			
c						
b						
a						
rev	change	date	name	similar drawing:	replacement for:	replaced by:
	note					



LM\_A-form-fit\_terminal