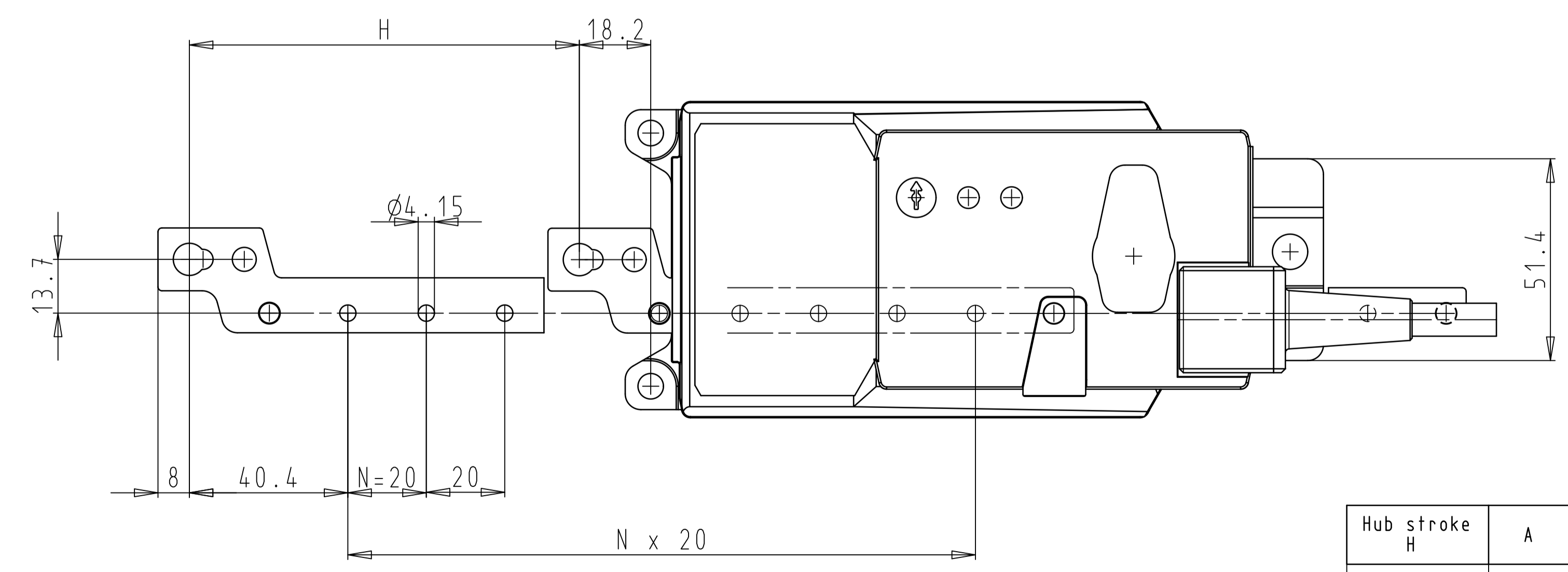
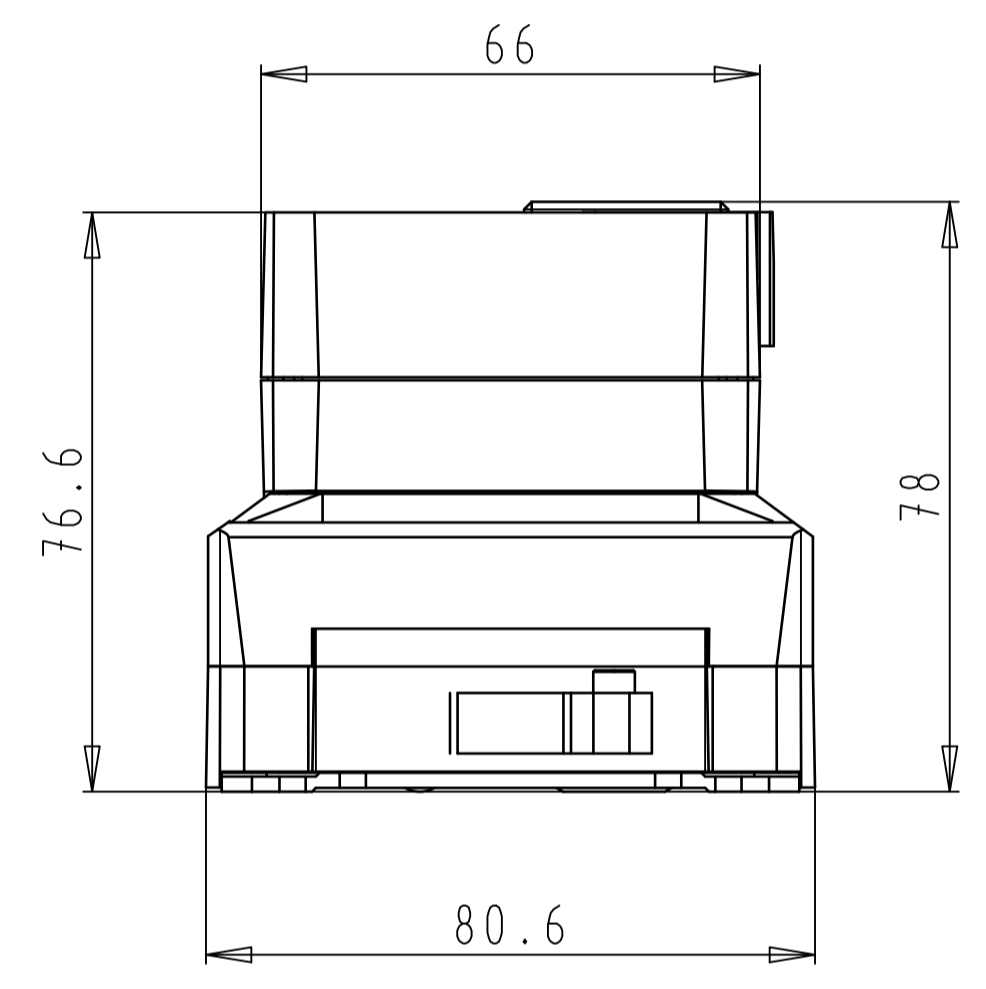
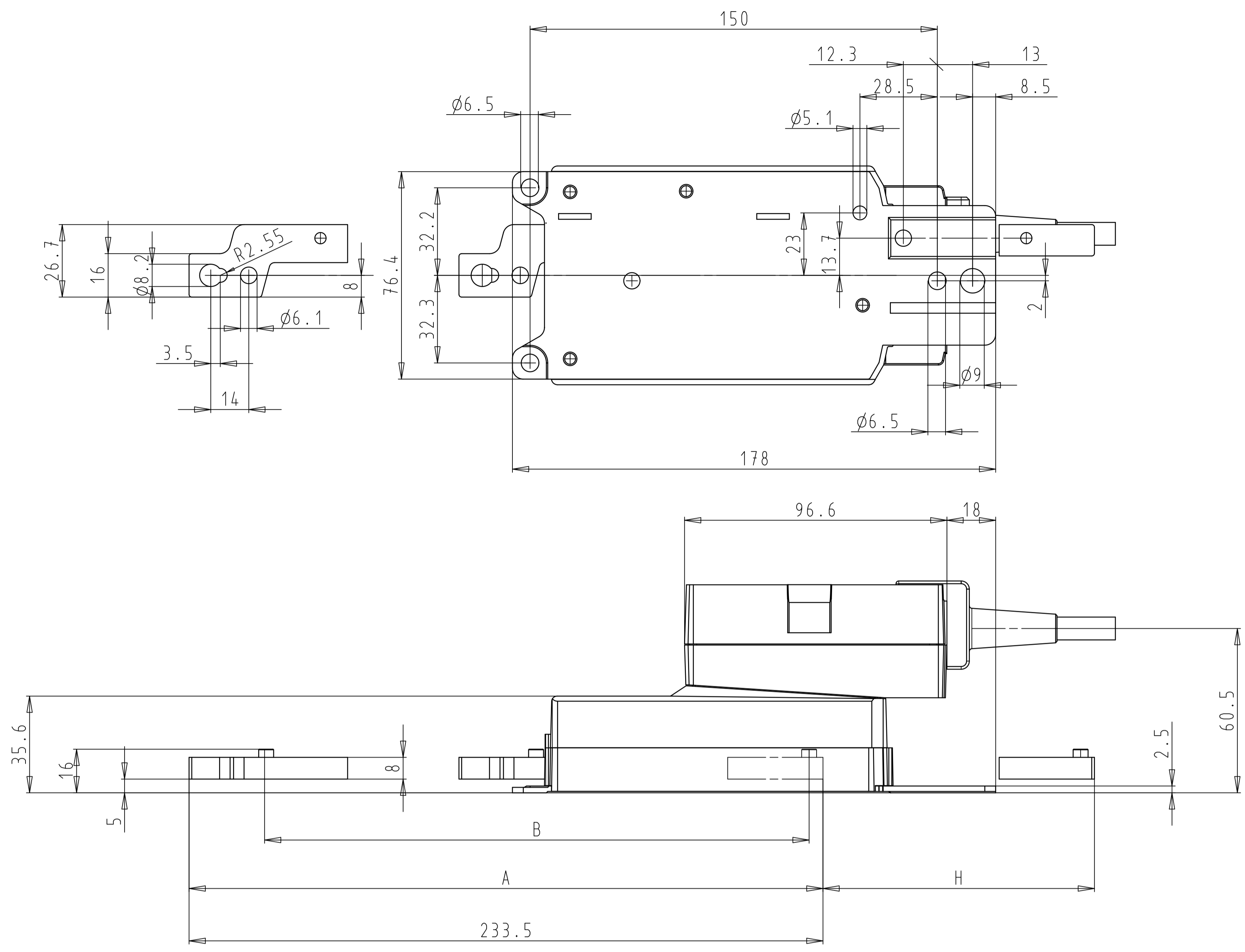
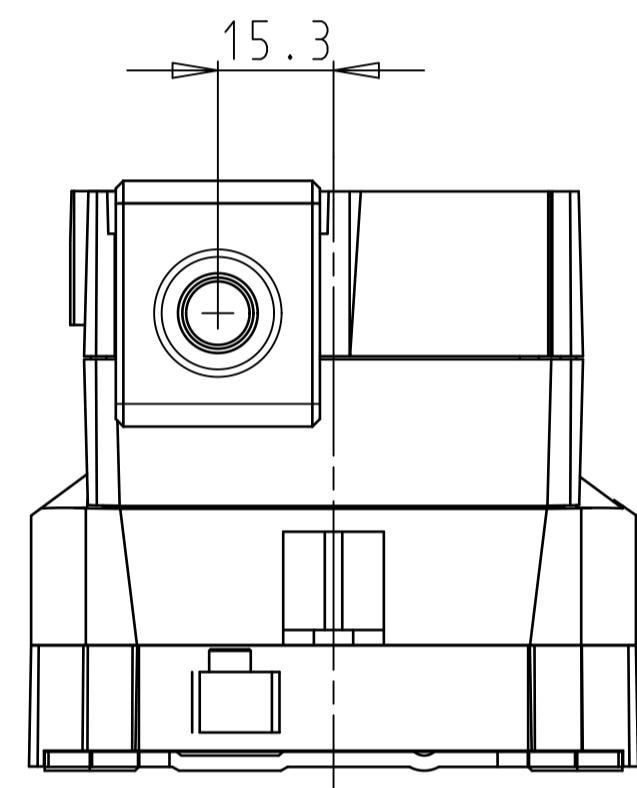


Notes: Dimensions are in Millimeters (mm). 1 inch = 25.4 mm first drawn according to the first single projection method.
 08.05.2008 08:58:15

General tolerances in accordance with ISO 2768-m (class medium).

Legal Notice: Any distribution, copying or disclosure, expressly authorized. Failure to comply with these conditions may result in legal action. All rights reserved. Design registration are reserved.



LH24A-MF060 LH24A-MF100 LH24A-MF200 LH24A-MF300
 LH24A-MP100 LH24A-MP200 LH24A-MP300

Hub stroke H	A	B	N
060	193.5	160	6
100	233.5	200	8
200	333.5	300	13
300	433.5	400	15

naming		pos.	material no	ind.	material
h					
g					
f	drawn	18.10.06	GXe		Linearantrieb MF MP
e	appr.				linear actuator MF MP
d	scale:	1:1			450N
c					
b					
a					
rev	change	date	name	similar drawing:	replaced by:
	note				



SH_A_x00_MF_MP