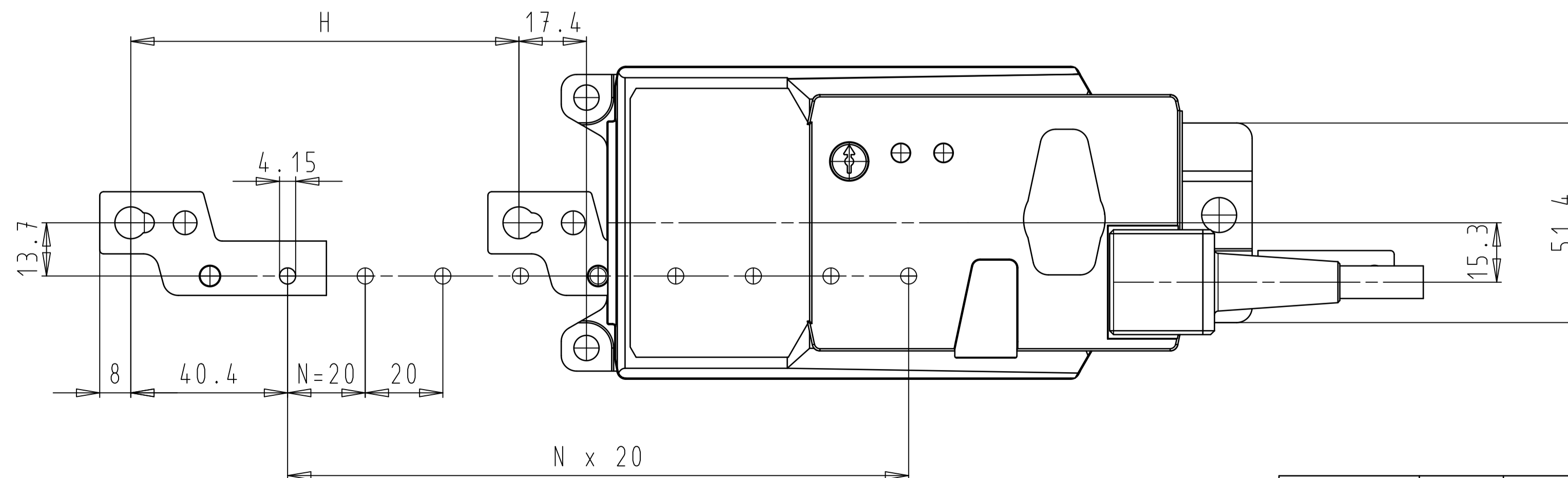
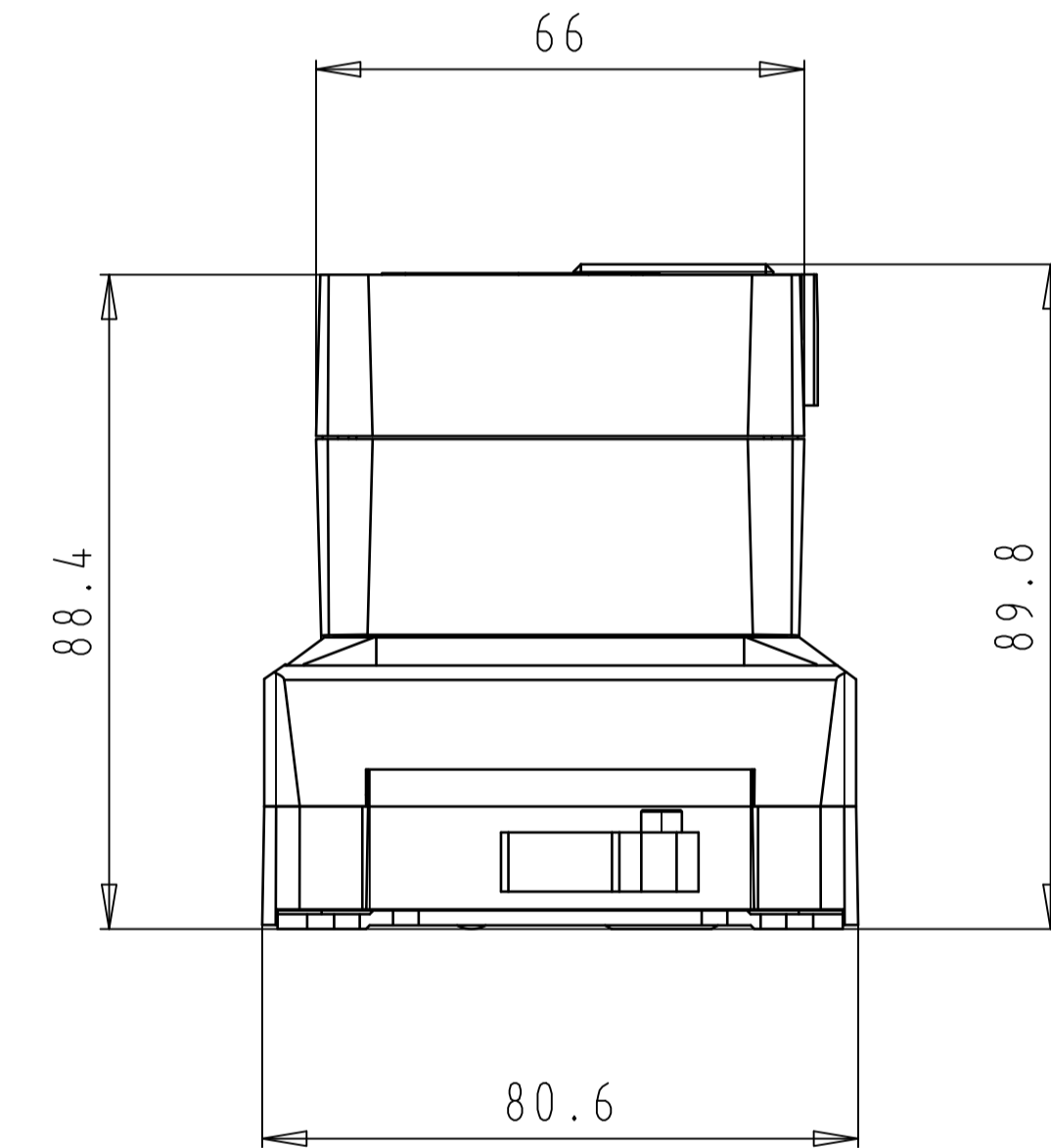
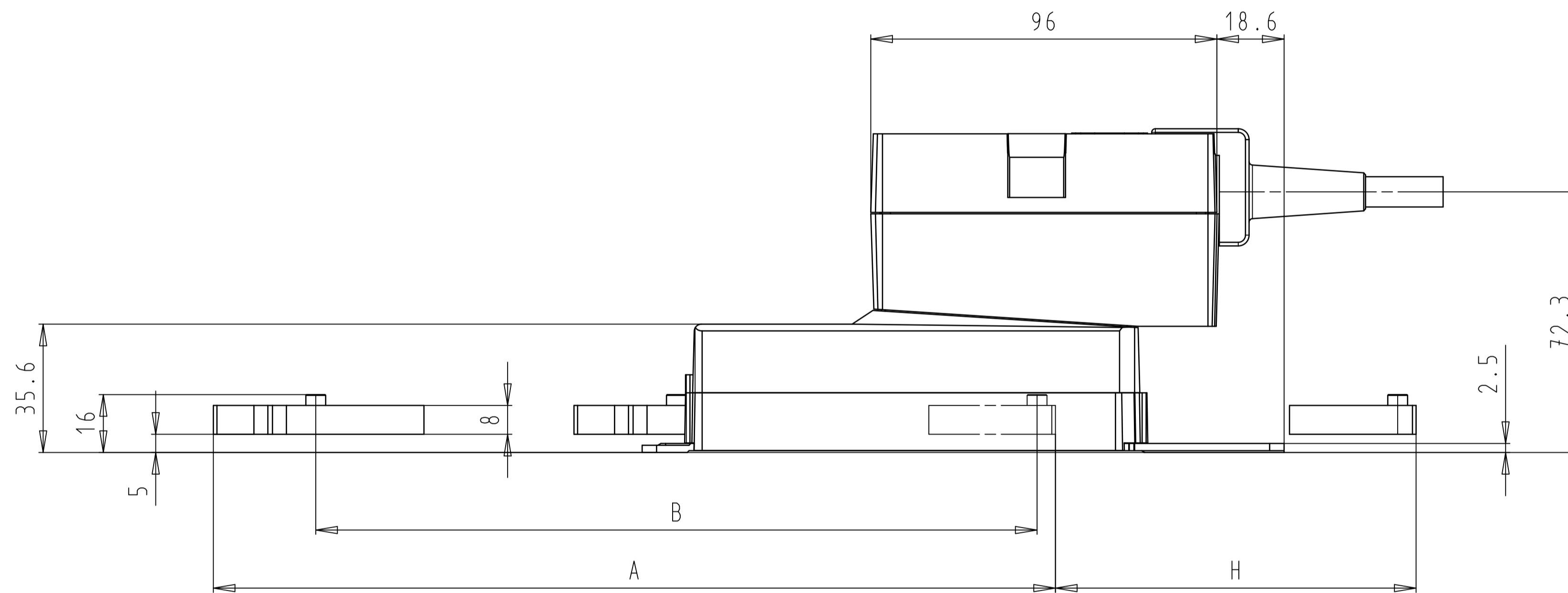
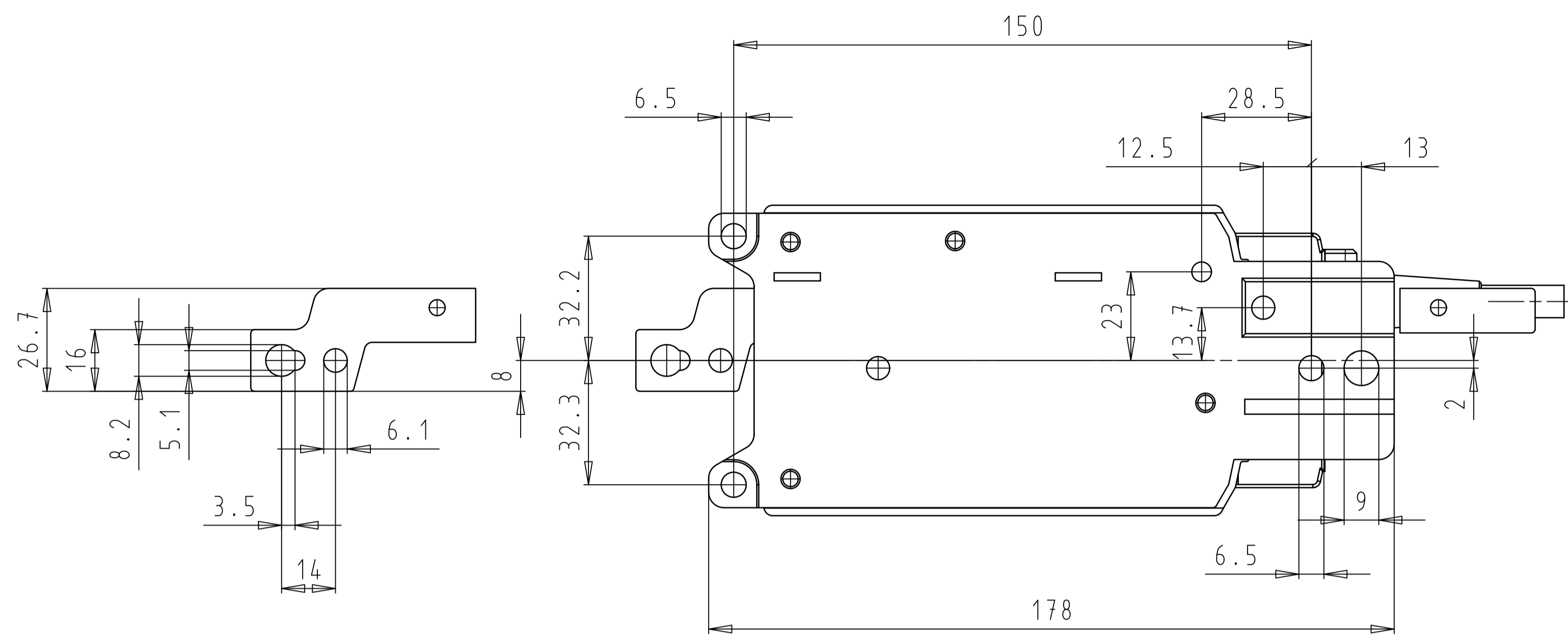
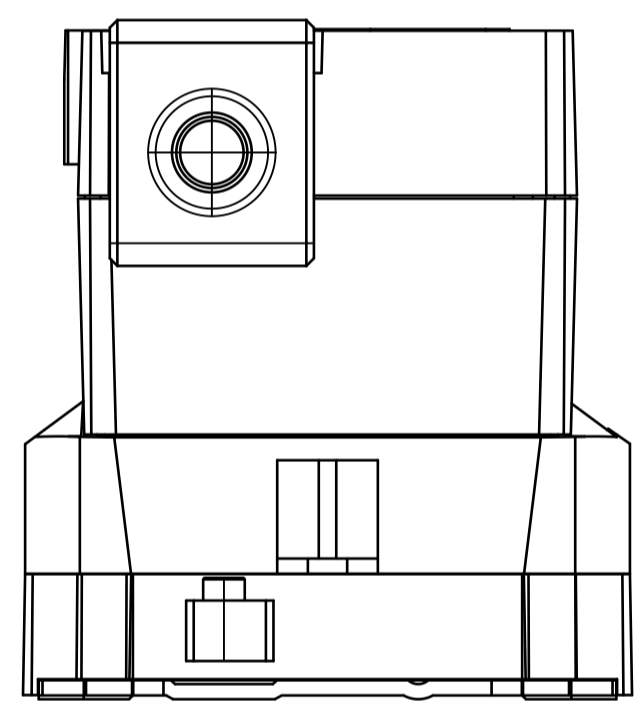


Notes: Dimensions are in Millimeters (mm). 1 inch = 25.4 mm. Drawn according to the first angle projection method.

Legal Notice: Any distribution, copying or disclosure of this drawing without the written authorization of BELIMO is expressly prohibited. Failure to comply will incur legal action. BELIMO reserves the right to change specifications without notice.

General tolerances in accordance with ISO 2768-m (class medium).



Hub stroke	A	B	N
H	233.5	200	8

SHQ24A100
SHQ24A-SR100
SHQ24A-MF100

naming		pos.	material no	ind.	material
h					
g		date	name		Linearantrieb
f		drawn	02.05.07	GXe	Linear actuator
e		appr.			220N
d		scale:	1:1		
c					
b					
a					
rev	change	date	name	similar drawing:	replaced by:
	note				

BELIMO SHQ24A-100

Index sheet
Material No
index by
material no