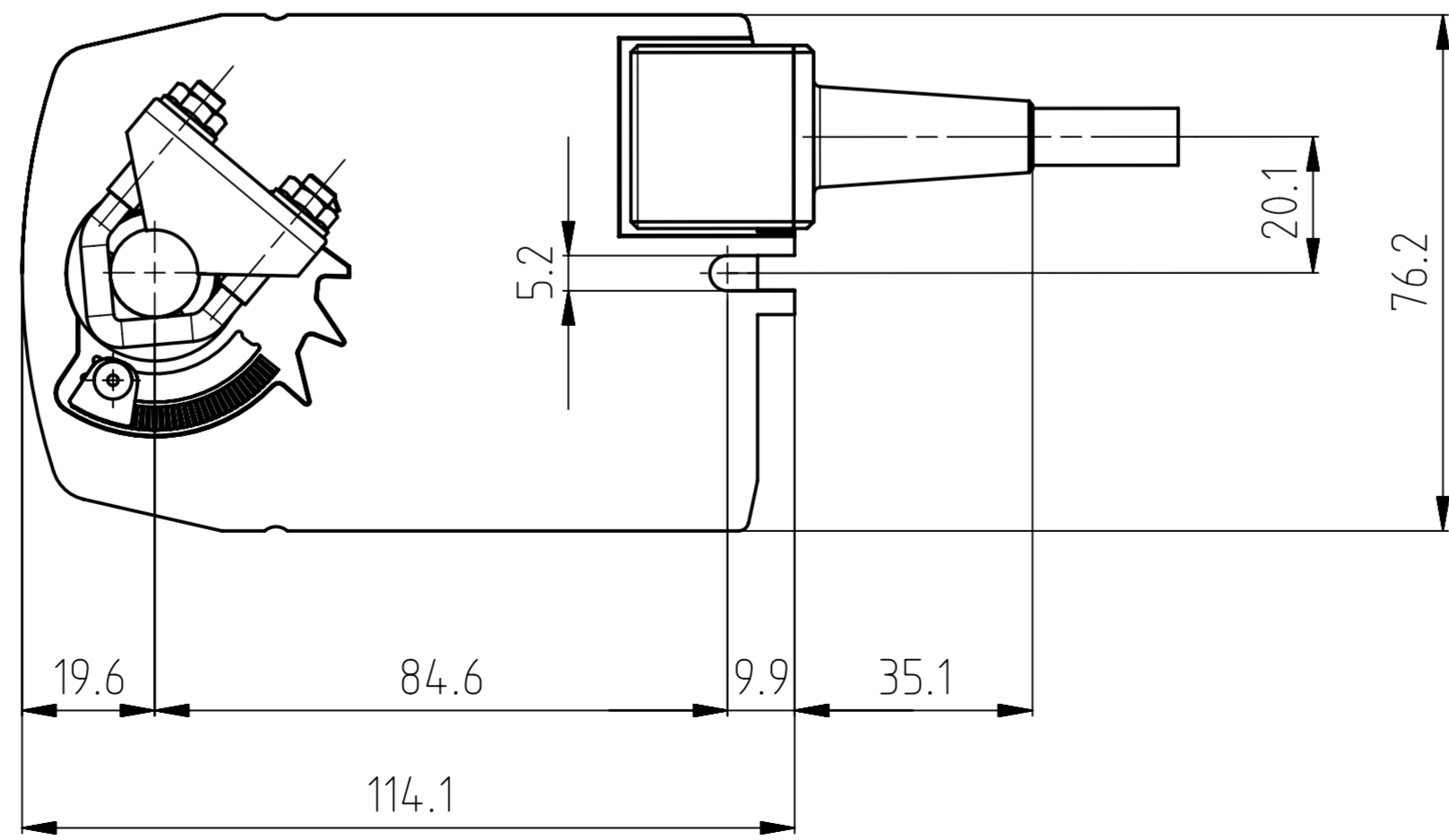
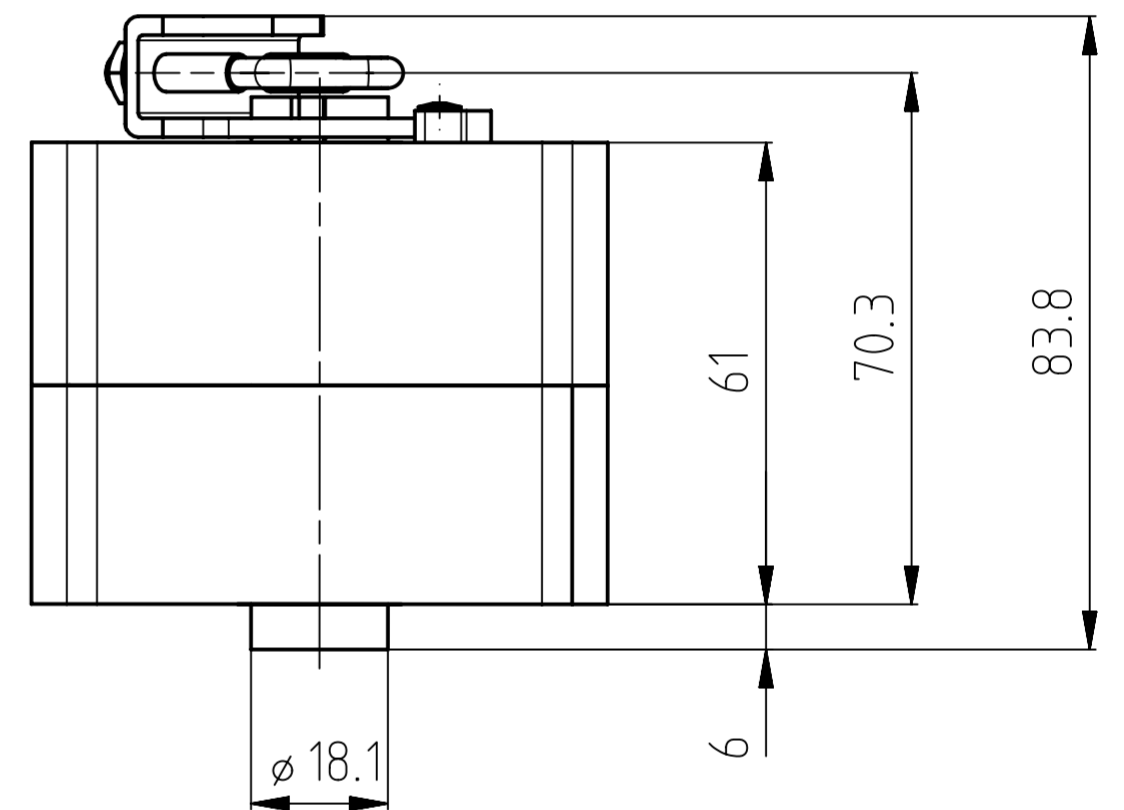
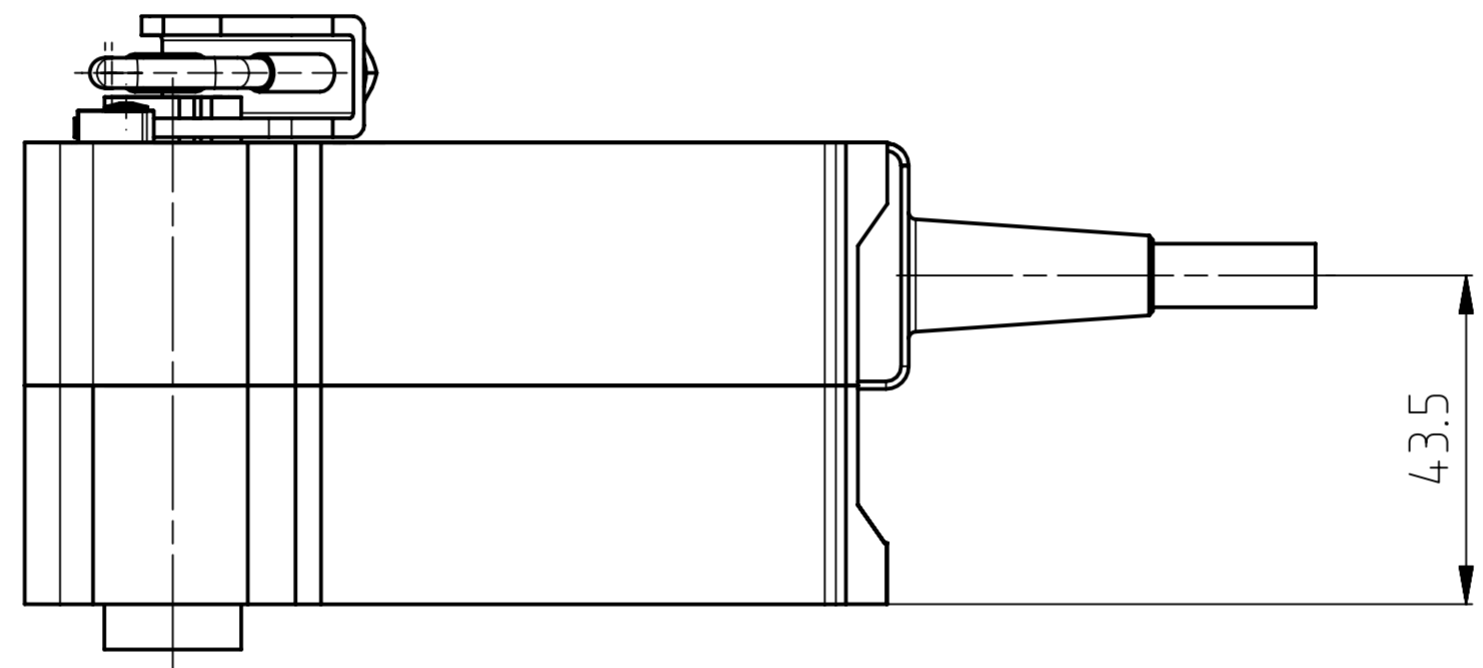
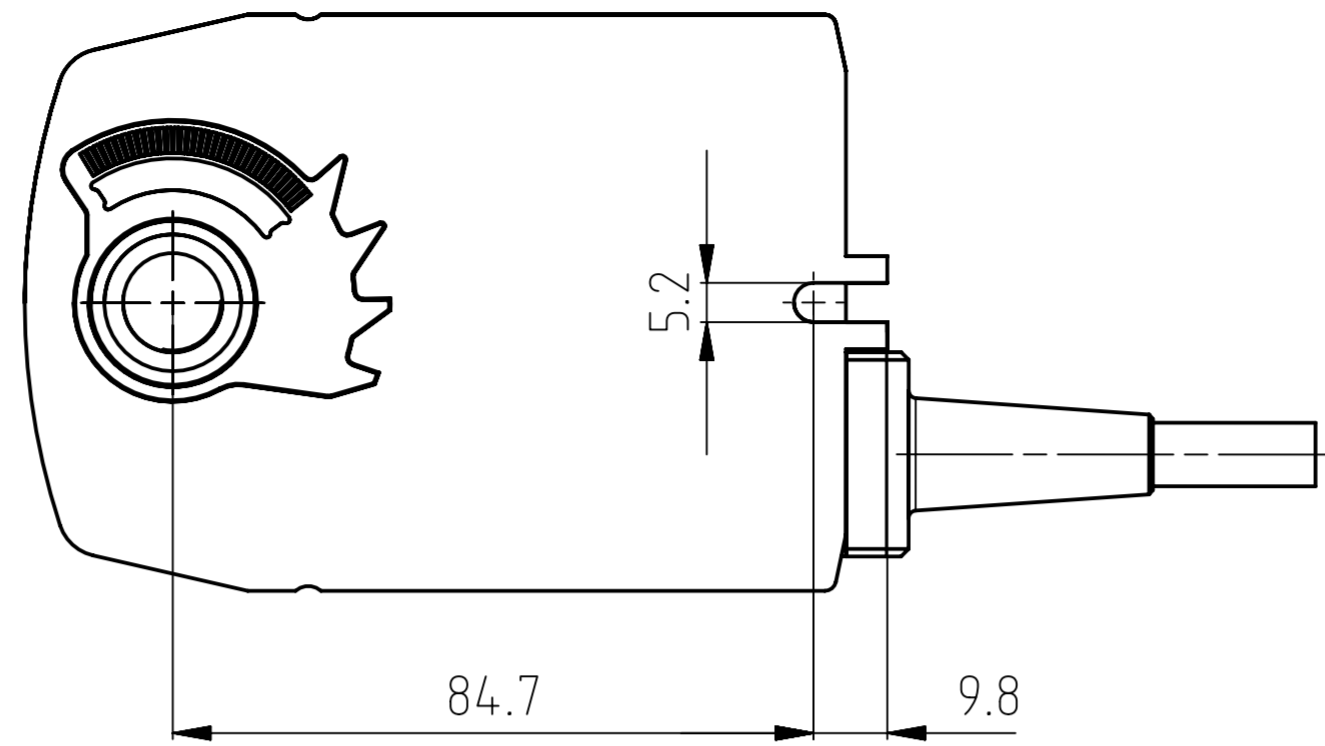
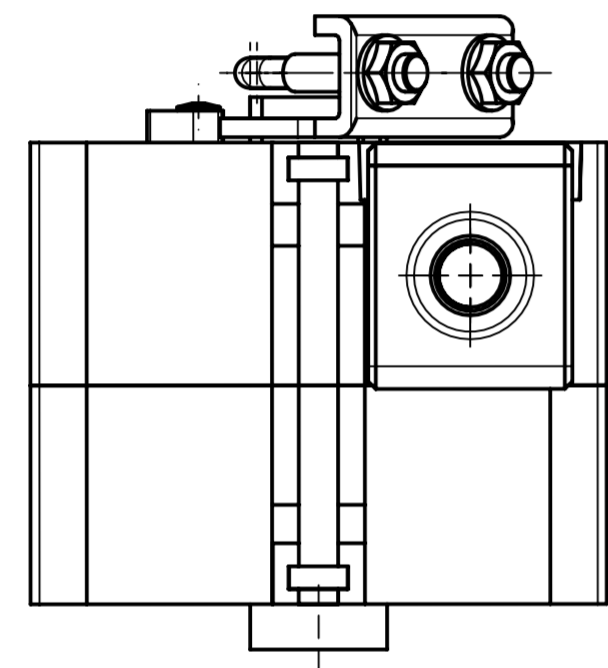


Legal Notice: Any distribution, copying or disclosure of this document is expressly prohibited. Failure to comply will incur liability for damages. All rights pertaining to patenting or design registration are reserved.

General tolerances in accordance with ISO 2768-mK

Notes: Dimensions are in millimeters (mm), 1 inch = 25.4 mm. Drawn according to the first angle projection method.



Inspection agreement with supplier  
 See inspection agreement  
 No inspection agreement necessary

Drawn	Date	Name	Document description			
Appr.	27.03.2012	GXe	TFxx Spring return actuator			
Scale:	1:1		Document number			
Vol (cm³):			not released for production			
			Material specification		Dev.no:	ch0015402
					Dev.rev:	002
			No.of sheets:	1	Sheet no:	1